

Features:

- Stage monitors, side-fill and P.A. applications.
- Fiberglass horn.
- 50 mm (2") throat.
- 120°(H) x 40°(V) nominal coverage.
- Metal bracket included (HS50).



SPECIFICATIONS

Nominal coverage		
Horizontal	120	degrees
Vertical	40	degrees
Directivity		
Directivity factor (Q)	10	
Directivity index (Di)	10	dB
Sensitivity		
On driver, 1W @ 1m, on axis ¹	109	dB SPL
Frequency response @ -10 dB ²	400 to 8,000	Hz
Throat diameter	50 (2)	mm (in)
Minimum recommended crossover ³	400	Hz

¹ Measured with D405 driver, 800 - 3,000 Hz average.

² Measured with D405 driver.

³ With D405 driver.

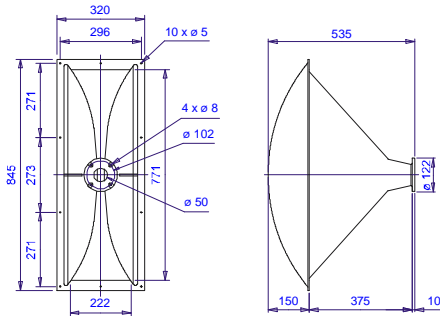
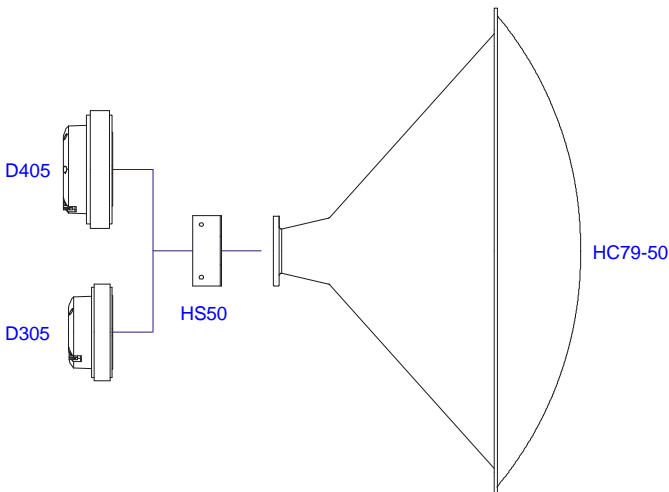
ADDITIONAL INFORMATION

Horn material	Fiberglass
Horn finish	Black
Overall dimensions	
Mouth height	320 (12.60) mm (in)
Mouth width	845 (33.27) mm (in)
Length	535 (21.06) mm (in)
Volume displaced by horn	5.5 (0.194) l (ft ³)
Net weight	4,900 (10.80) g (lb)
Gross weight	7,500 (16.53) g (lb)
Carton dimensions (W x D x H)	87.5 x 34 x 56 (34.5 x 13.4 x 22.1) cm (in)

MOUNTING INFORMATION

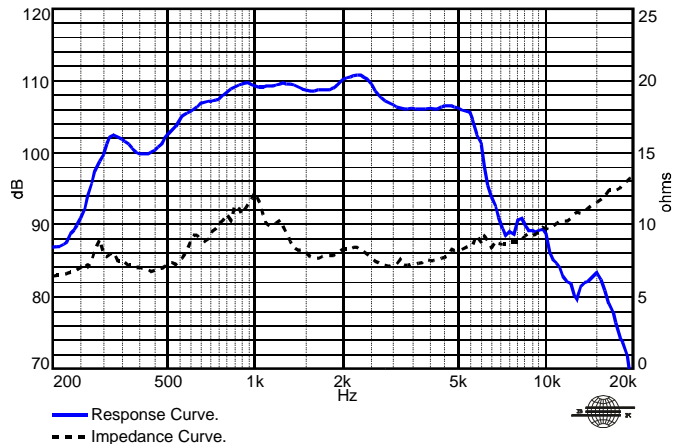
Mechanical connection of driver	Bolt on
Baffle cutout dimensions (front mount)	
Horizontal	790 (31.10) mm (in)
Vertical	235 (9.25) mm (in)

HORN x DRIVER CONNECTION

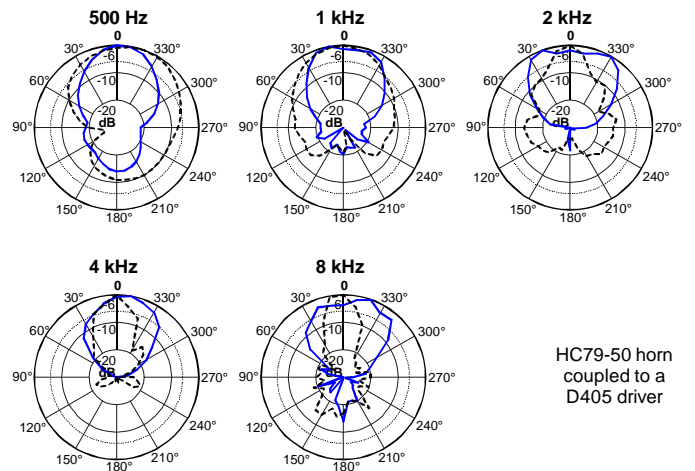


Dimensions in mm.

RESPONSE AND IMPEDANCE CURVES W/ D405 DRIVER INSIDE AN ANECHOIC CHAMBER, 1 W / 1 m



POLAR RESPONSE CURVE



HC79-50 horn coupled to a D405 driver

— Polar Response Curve, Horizontal.
- - - Polar Response Curve, Vertical.