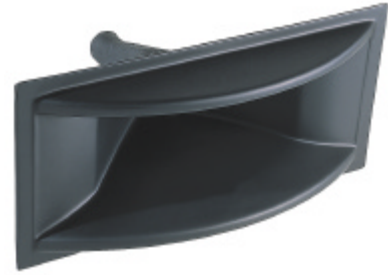


### Features:

- Side-fill, P.A. and outdoor sound systems applications.
- Fiberglass horn.
- 25 mm (1") throat.
- 120°(H) x 40°(V) nominal coverage.



### SPECIFICATIONS

Nominal coverage	
Horizontal .....	120 degrees
Vertical .....	40 degrees
Directivity	
Directivity factor (Q) .....	10
Directivity index (Di) .....	10 dB
Sensitivity	
On driver, 1W @ 1m, on axis <sup>1</sup> .....	107 dB SPL
Frequency response @ -10 dB <sup>2</sup> .....	400 to 9,000 Hz
Throat diameter .....	25 (1) mm (in)
Minimum recommended crossover <sup>3</sup> .....	500 Hz

<sup>1</sup> Measured with D250 driver, 500 - 2,000 Hz average.

<sup>2</sup> Measured with D250 driver.

<sup>3</sup> With D250 driver.

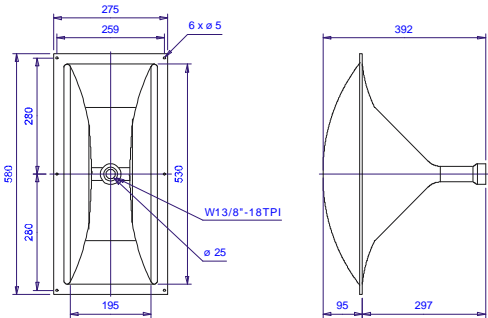
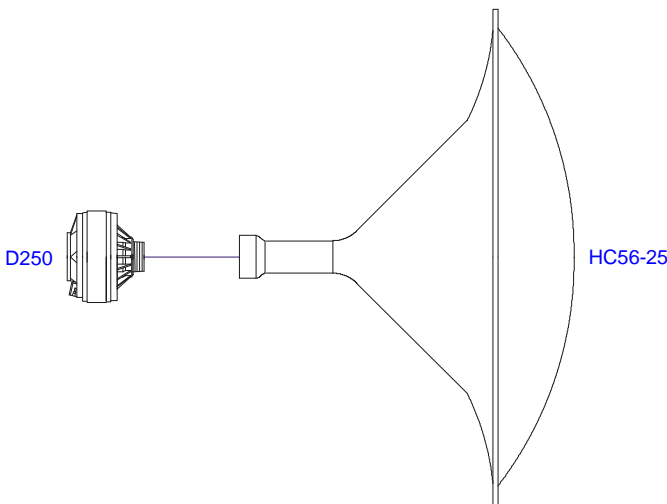
### ADDITIONAL INFORMATION

Horn material .....	Fiberglass
Horn finish .....	Black
Overall dimensions	
Mouth height .....	275 (10.83) mm (in)
Mouth width .....	580 (22.84) mm (in)
Length .....	390 (15.35) mm (in)
Volume displaced by horn .....	3.2 (0.113) l (ft <sup>3</sup> )
Net weight .....	2,300 (5.07) g (lb)
Gross weight .....	3,700 (8.16) g (lb)
Carton dimensions (W x D x H) .....	6.2 x 30.5 x 43 (24.4 x 12 x 16.9) cm (in)

### MOUNTING INFORMATION

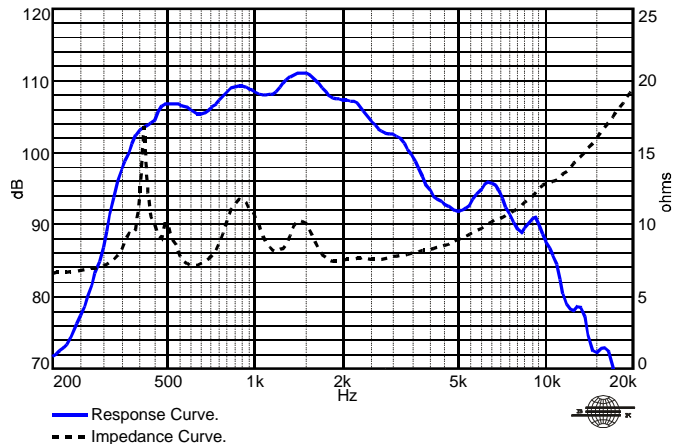
Mechanical connection of driver .....	Screw-on 1 <sup>3</sup> / <sub>8</sub> " - 18 TPI
Baffle cutout dimensions (front mount)	
Horizontal .....	535 (21.06) mm (in)
Vertical .....	205 (8.07) mm (in)

### HORN x DRIVER CONNECTION

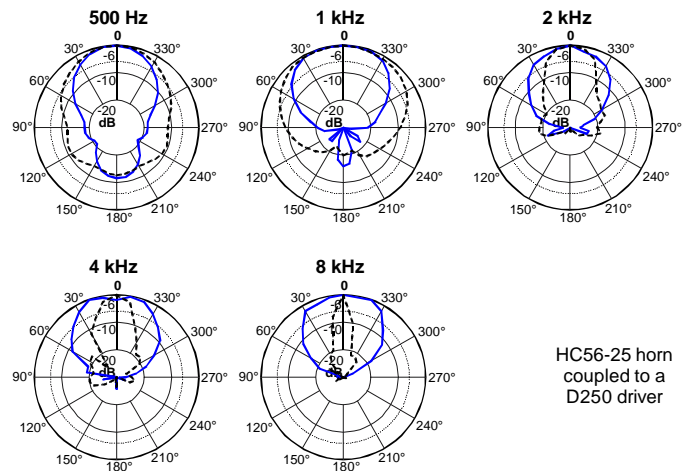


Dimensions in mm.

### RESPONSE AND IMPEDANCE CURVES W/ D250 DRIVER INSIDE AN ANECHOIC CHAMBER, 1 W / 1 m



### POLAR RESPONSE CURVE



HC56-25 horn coupled to a D250 driver

— Polar Response Curve, Horizontal.  
- - - Polar Response Curve, Vertical.