

2" (50 mm) exit compression driver for high sensitivity, low distortion and smooth extended frequency response applications. Its pure titanium diaphragm was especially designed based on the extremely light and structurally strong snowflake crystal, utilizing an ultra light flat copper clad aluminum wire voice coil. That leads the D4400Ti driver to deliver top performance, top quality and top value for the pinnacle in sound reinforcement applications.

It combines a stable structure for mid-frequency reproduction and a low mass that enables high frequency reproduction virtually linear to 20 kHz.

Its construction features include.

Ferrofluid (Ferrosound®) loaded gap reducing heat build-up and offering consistent results over long-term demanding concert usage;

Voice coil is made of high temperature wire wound on Kapton® former to withstand high operating temperatures;

Injected aluminum housing;

Precisely engineered diaphragm structure and alignment mechanism allows for easy, reliable and cost effective repair in case of diaphragm failure.



SPECIFICATIONS

Nominal impedance	16 Ω
Minimum impedance @ 3,560 Hz	11.7 Ω

POWER USING CROSSOVER (12dB/oct)	ACTIVE	PASSIVE
AES (HPF 800 Hz) ⁵	47	W
AES (HPF 1,2 kHz) ⁵	51	W
MUSICAL PORGRAM (HPF 800 Hz) ¹	94	200 W
MUSICAL PROGRAM (HPF 1.2 kHz) ¹	102	250 W

Sensitivity

On horn, 2.83V@1m, on axis ²	112	dB SPL
On plane-wave tube, 0.0894V ³	117	dB SPL
Frequency response @ -10 dB	400 to 20,000	Hz
Throat diameter	50 (2)	mm (in)
Diaphragm material	Titanium	
Voice coil diameter	100 (4)	mm (in)
Re	9.1	Ω
Flux density	1.90	T
Minimum recommended crossover (12 dB / oct)	800	Hz

¹ Power handling specifications refer to normal speech and/or music program material, reproduced by an amplifier producing no more than 5% distortion. Power is calculated as true RMS voltage squared divided by the nominal impedance of the loudspeaker. This voltage is measured at the input of the recommended passive crossover when placed between the power amplifier and loudspeaker.

Musical Program= 2 x W RMS.

² Measured with HL4750-SLF horn, 800 - 3,000 Hz average.

³ The sensitivity represents the SPL in a 25 mm terminated tube, 800 - 3,000 Hz average.

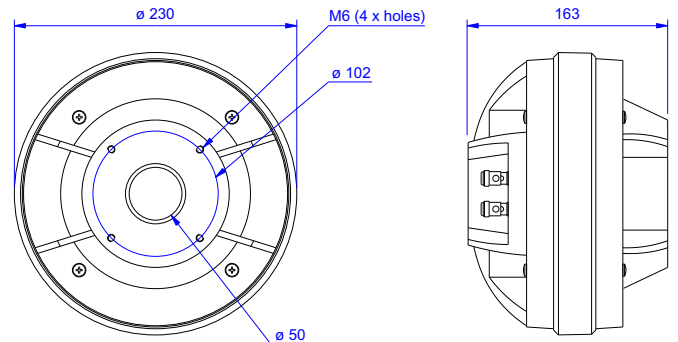
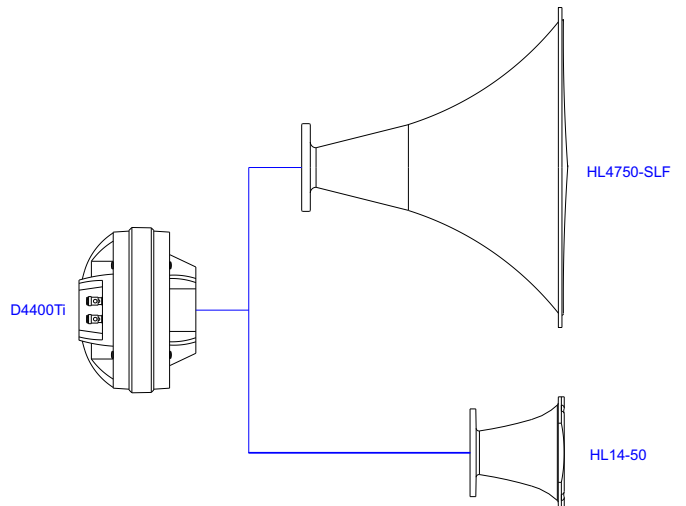
ADDITIONAL INFORMATION

Magnet material	Barium ferrite
Magnet weight	3,440 (120) g (oz)
Magnet diameter x depth	220 x 24 (8.66 x 0.95) mm (in)
Magnetic assembly weight	9,240 (20.37) g (lb)
Housing material	Aluminum
Housing finish	Black epoxy
Voice coil material	Flat CCAW
Voice coil former material	Polyimide (Kapton®)
Voice coil winding length	6.0 (19.7) m (ft)
Voice coil winding depth	2.0 (0.08) mm (in)
Wire temperature coefficient of resistance (α25)	0.00404 1/°C
Volume displaced by driver	5.0 (0.177) l (ft ³)
Net weight	10,200 (22.49) g (lb)
Gross weight	12,040 (26.54) g (lb)
Carton dimensions (W x D x H)	27 x 27 x 21.5 (10.6 x 10.6 x 8.5) cm (in)

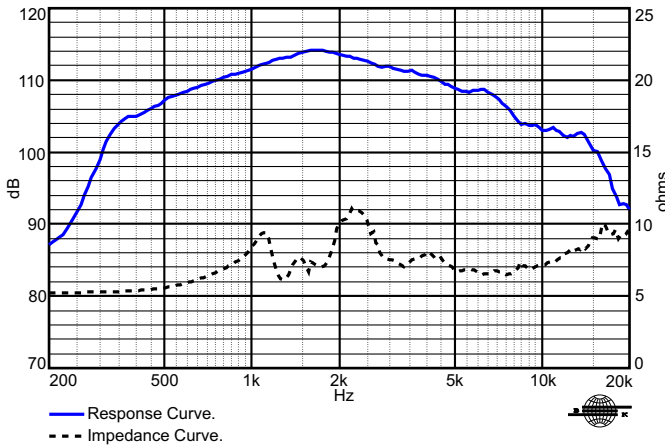
MOUNTING INFORMATION

Horn connection	Bolt on
Number of holes	4
Threaded holes circle diameter	102 (4) mm (in)
Threaded holes diameter	M6 (0.23) mm (in)
Connectors	Push terminals
Polarity	Positive voltage applied to the positive terminal (red) gives diaphragm motion toward the throat

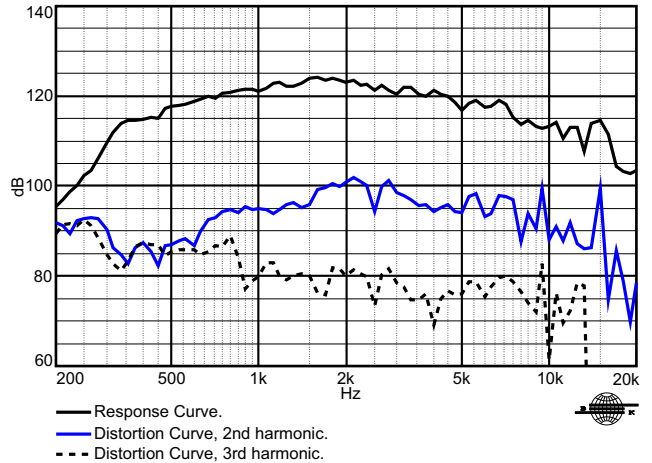
DRIVER x HORN CONNECTION



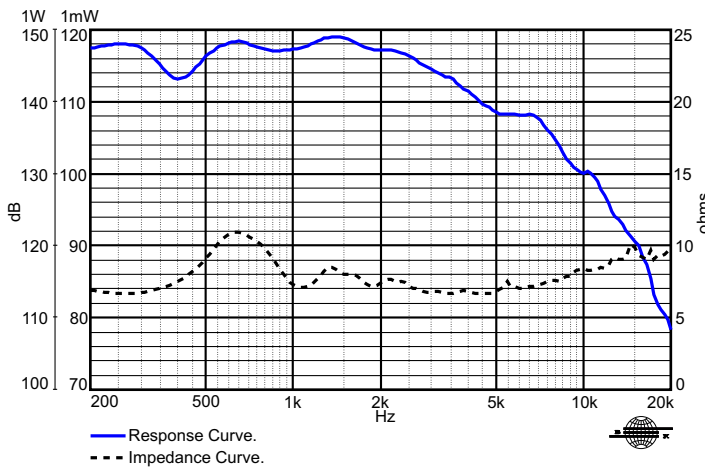
RESPONSE AND IMPEDANCE CURVES W/ HL4750-SLF HORN INSIDE AN ANECHOIC CHAMBER, 1 W / 1 m



HARMONIC DISTORTION CURVES W/ HL4750-SLF HORN, 10 W / 1 m.

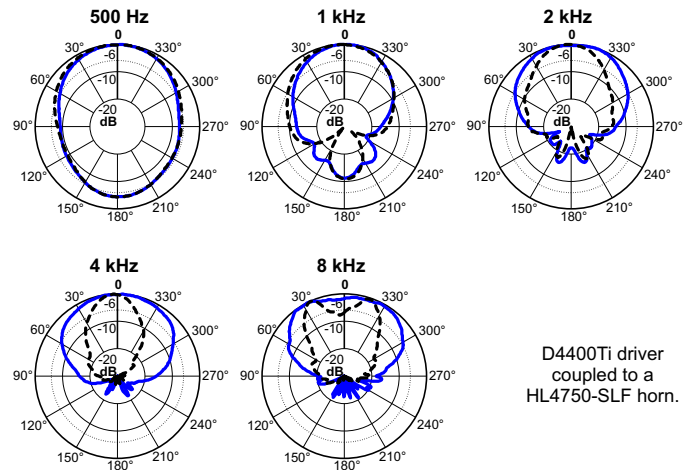


RESPONSE AND IMPEDANCE CURVES W/ PLANE-WAVE TUBE, 1 mW



Frequency response and impedance curves measured with 50 mm terminated plane-wave tube, with sensitivity referenced to a 25 mm tube.

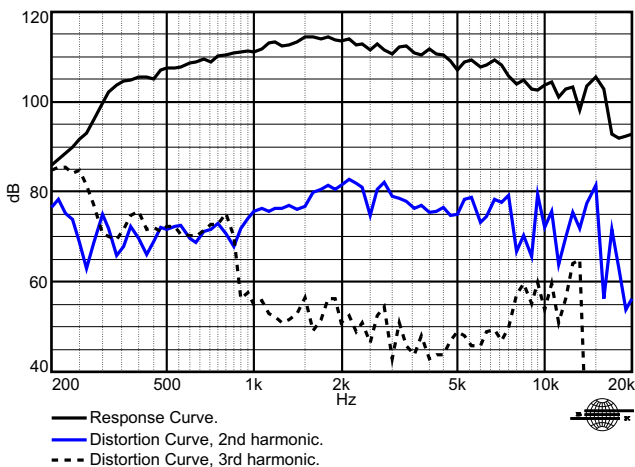
POLAR RESPONSE CURVES



D4400Ti driver coupled to a HL4750-SLF horn.

— Polar Response Curve, Horizontal.
- - - Polar Response Curve, Vertical.

HARMONIC DISTORTION CURVES W/ HL4750-SLF HORN, 1 W / 1 m.



HOW TO CHOOSE THE RIGHT AMPLIFIER

The power amplifier must be able to supply twice the RMS driver power. This 3 dB headroom is necessary to handle the peaks that are common to musical programs. When the amplifier clips those peaks, high distortion arises and this may damage the transducer due to excessive heat. The use of compressors is a good practice to reduce music dynamics to safe levels.

FINDING VOICE COIL TEMPERATURE

It is very important to avoid maximum voice coil temperature. Since moving coil resistance (R_e) varies with temperature according to a well known law, we can calculate the temperature inside the voice coil by measuring the voice coil DC resistance:

$$T_B = T_A + \left(\frac{R_B}{R_A} - 1 \right) \left(T_A - 25 + \frac{1}{\alpha_{25}} \right)$$

T_A, T_B = voice coil temperatures in °C.

R_A, R_B = voice coil resistances at temperatures T_A and T_B , respectively.

α_{25} = voice coil wire temperature coefficient at 25 °C.

Kapton®: Du Pont trademark.

Ferrosound®: Ferrofluidics Corporation trademark.

Specifications subject to change without prior notice.

Cod.:NA Rev.: 01- 07/10

www.selenium.com.br

www.seleniumloudspeakers.com