

8" woofer for midbass professional sound reinforcement.

Offering high power capacity, outstanding mid range response and exceptional long-term performance, this transducer is ideal for compact enclosures (closed, vented or horns). This transducer exhibits excellent acoustics with work horse construction. Designed for smaller enclosures, the 8MB4P is a versatile high performance midbass.

General construction includes a sturdy cast frame, impregnated cloth surround, stable spider and a large central vent channel for reducing long-term heat build-up.

8MB4P-SLF: No logo printed on dust cap.



SPECIFICATIONS

Nominal diameter	203 (8)	mm (in)
Nominal impedance	8	Ω
Minimum impedance @ 350 Hz	6.3	Ω
Power handling		
Musical program ¹	500	W
AES ²	250	W
Sensitivity (2.83V@1m) averaged from 120 to 3,500 Hz	97	dB SPL
Power compression @ 0 dB (nom. power)	3.8	dB
Power compression @ -3 dB (nom. power)/2	1.8	dB
Power compression @ -10 dB (nom. power)/10	0.7	dB
Frequency response @ -10 dB	80 to 5,000	Hz

¹ Power handling specifications refer to normal speech and/or music program material, reproduced by an amplifier producing no more than 5% distortion. Power is calculated as true RMS voltage squared divided by the nominal impedance of the loudspeaker.

² AES Standard (200 - 2,000 Hz).

THIELE-SMALL PARAMETERS

Fs	105	Hz
Vas	9.4 (0.33)	l (ft ³)
Qts	0.76	
Qes	0.82	
Qms	10.62	
η ₀ (half space)	1.4	%
Sd	0.025 (38.7)	m ² (in ²)
Vd (Sd x Xmax)	81.25 (4.95)	cm ³ (in ³)
Xmax (max. excursion (peak) with 10% distortion)	3.25 (0.12)	mm (in)
Xlim (max. excursion (peak) before physical damage)	12.4 (0.49)	mm (in)

Atmospheric conditions at TS parameter measurements:

Temperature	25 (77)	°C (°F)
Atmospheric pressure	1,022	mb
Humidity	50	%

Thiele-Small parameters are measured after a 2-hour power test using half AES power. A variation of ± 15% is allowed.

ADDITIONAL PARAMETERS

βL	9.5	Tm
Flux density	1.12	T
Voice coil diameter	47 (1.85)	mm (in)
Voice coil winding length	12.8 (42.0)	m (ft)
Wire temperature coefficient of resistance (α ₂₅)	0.00395	1/°C
Maximum voice coil operation temperature	310 (590)	°C (°F)
θ _{vc} (max. voice coil operation temp./max. power)	1.24 (2.36)	°C/W (°F/W)
H _{vc} (voice coil winding depth)	14.5 (0.57)	mm (in)
H _{ag} (air gap height)	8.0 (0.32)	mm (in)
Re	5.5	Ω
Mms	20.0 (0.044)	g (lb)
Cms	110	μm/N
Rms	1.23	kg/s

NON-LINEAR PARAMETERS

Le @ Fs (voice coil inductance @ Fs)	1.09	mH
Le @ 1 kHz (voice coil inductance @ 1 kHz)	0.664	mH
Le @ 20 kHz (voice coil inductance @ 20 kHz)	0.376	mH
Red @ Fs	0.242	Ω
Red @ 1 kHz	1.834	Ω
Red @ 20 kHz	27.189	Ω
K _{rm}	0.7	mΩ
K _{xm}	3.5	mH
E _{rm}	0.90	
E _{xm}	0.81	

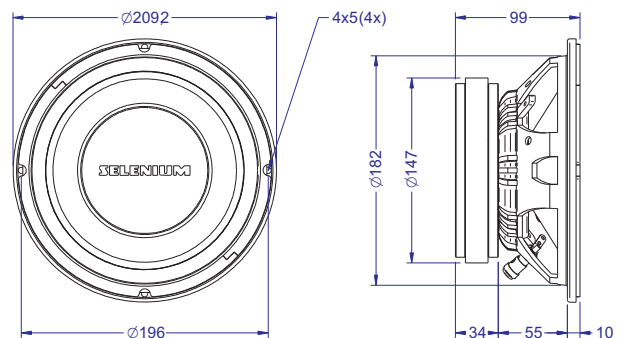
ADDITIONAL INFORMATION

Magnet material	Barium ferrite
Magnet weight	1,280 (45) g (oz)
Magnet diameter x depth	147 x 18 (5.78 x 0.71) mm (in)
Magnetic assembly weight	3,100 (6.83) g (lb)
Frame material	Aluminum
Frame finish	Black epoxy
Voice coil material	Aluminum
Voice coil former material	Polyimide (kapton)
Cone material	Long fiber pulp
Volume displaced by woofer	1.26 (0.044) l (ft ³)
Net weight	3,500 (7.71) g (lb)
Gross weight	3,780 (8.33) g (lb)
Carton dimensions (W x D x H)	23 x 23 x 14 (9 x 9 x 5.5) cm (in)

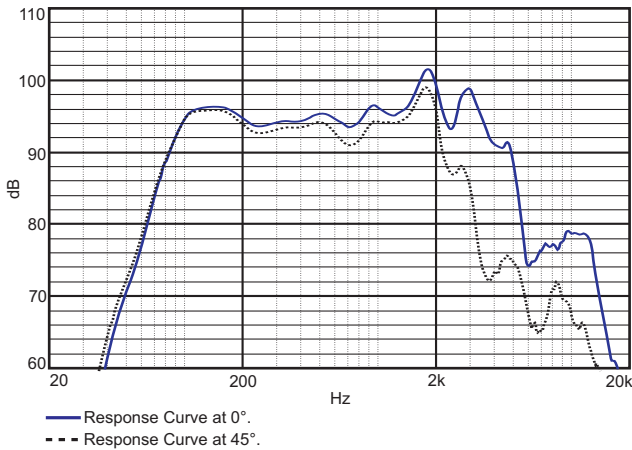
MOUNTING INFORMATION

Number of bolt-holes	4
Bolt-hole dimension	4 x 5 (0.16 x 0.2) mm (in)
Bolt-circle diameter	196 (7.72) mm (in)
Baffle cutout diameter (front mount)	184 (7.24) mm (in)
Baffle cutout diameter (rear mount)	190 (7.48) mm (in)
Connectors	Silver-plated push terminals
Polarity	Positive voltage applied to the positive terminal (red) gives forward cone motion

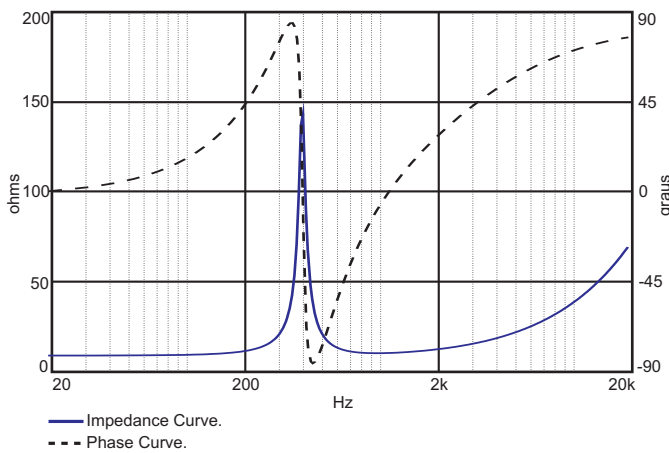
Minimum clearance between the back of the magnetic assembly and the enclosure wall 75 (3) mm (in)



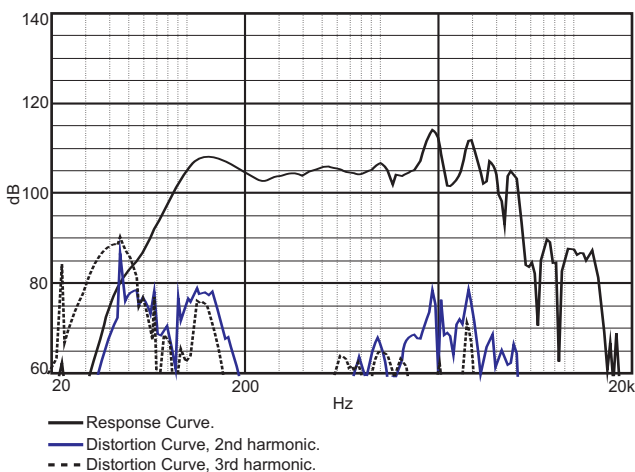
RESPONSE CURVES (0° AND 45°) IN A TEST ENCLOSURE INSIDE AN ANECHOIC CHAMBER, 1 W / 1 m



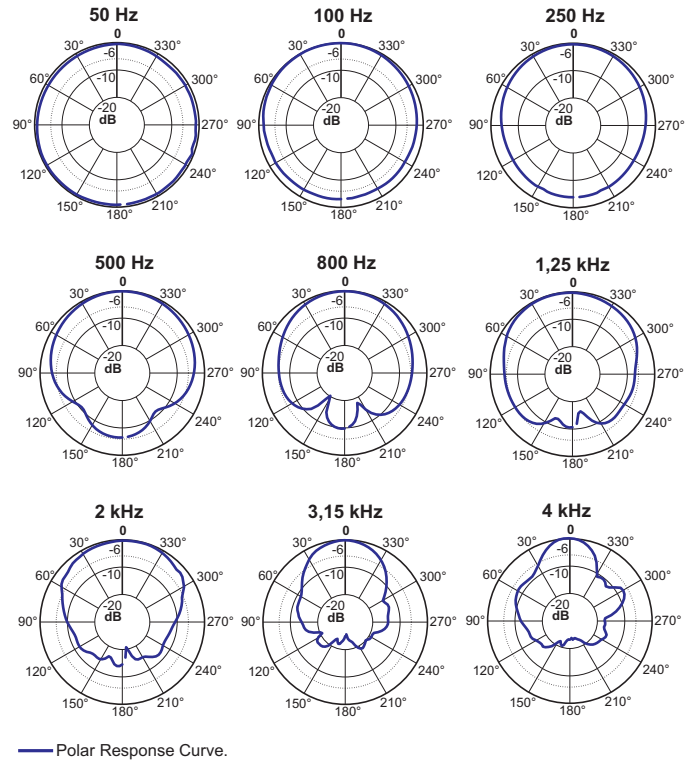
IMPEDANCE AND PHASE CURVES MEASURED IN FREE-AIR



HARMONIC DISTORTION CURVES MEASURED AT 10% AES INPUT POWER, 1 m



POLAR RESPONSE CURVES



HOW TO CHOOSE THE RIGHT AMPLIFIER

The power amplifier must be able to supply twice the RMS driver power. This 3 dB headroom is necessary to handle the peaks that are common to musical programs. When the amplifier clips those peaks, high distortion arises and this may damage the transducer due to excessive heat. The use of compressors is a good practice to reduce music dynamics to safe levels.

FINDING VOICE COIL TEMPERATURE

It is very important to avoid maximum voice coil temperature. Since moving coil resistance (R_e) varies with temperature according to a well known law, we can calculate the temperature inside the voice coil by measuring the voice coil DC resistance:

$$T_B = T_A + \left(\frac{R_B}{R_A} - 1 \right) \left(T_A - 25 + \frac{1}{\alpha_{25}} \right)$$

T_A, T_B = voice coil temperatures in °C.

R_A, R_B = voice coil resistances at temperatures T_A and T_B , respectively.

α_{25} = voice coil wire temperature coefficient at 25 °C.

POWER COMPRESSION

Voice coil resistance rises with temperature, which leads to efficiency reduction. Therefore, if after doubling the applied electric power to the driver we get a 2 dB rise in SPL instead of the expected 3 dB, we can say that power compression equals 1 dB. An efficient cooling system to dissipate voice coil heat is very important to reduce power compression.

NON-LINEAR VOICE COIL PARAMETERS

Due to its close coupling with the magnetic assembly, the voice coil in electrodynamic loudspeakers is a very non-linear circuit. Using the non-linear modeling parameters K_{rm} , K_{xm} , E_{rm} and E_{xm} from an empirical model, we can calculate voice coil impedance with good accuracy.

SUGGESTED PROJECTS

For additional project suggestions, please access our website.

TEST ENCLOSURE

19.6-liter volume, vented box.

Specifications subject to change without prior notice.

Cod.: NA Rev.: 00- 07/07

www.selenium.com.br

www.seleniumloudspeakers.com