

6" Woofer with excellent performance in the mid frequency ranges. Its great efficiency in sound reproduction is due excellent combination of different components. This new design is capable of handling up to 200 Watts Continuous Music.

For sound reinforcement in nightclubs, dancing halls, auditoriums, bands and also for studio monitors. Its great efficiency in sound reproduction is due to the excellent combination of the different components.

The epoxy painted reinforced steel frame provides the array with high mechanical resistance, an impregnated foam surround, impregnated long fiber paper cone, give the array great stability, high yield and low distortion.

The 6W4P woofer incorporates a magnetic assembly, of 115mm, of high density of magnetic flux combined with the characteristics above its check to the product high sensibility.



### SPECIFICATIONS

Nominal diameter	152 (6)	mm (in)
Nominal impedance	8	
Minimum impedance @ 300 Hz	7.0	
Power handling		
Peak	400	W
Continuous Music <sup>1</sup>	200	W
NBR <sup>2</sup>	100	W
AES <sup>3</sup>	100	W
Sensitivity (2.83V@1m) averaged from 80 to 9,000 Hz	91	dB SPL
Power compression @ 0 dB (nom. power)	3.6	dB
Power compression @ -3 dB (nom. power)/2	1.9	dB
Power compression @ -10 dB (nom. power)/10	0.3	dB
Frequency response @ -10 dB	80 to 9,000	Hz

<sup>1</sup> Power handling specifications refer to normal speech and/or music program material, reproduced by an amplifier producing no more than 5% distortion. Power is calculated as true RMS voltage squared divided by the nominal impedance of the loudspeaker.

<sup>2</sup> NBR Standard (10,303 Brazilian Standard).

<sup>3</sup> AES Standard (100 - 1000 Hz).

### THIELE-SMALL PARAMETERS

Fs	76	Hz
Vas	8 (0.28)	l (ft <sup>3</sup> )
Qts	0.83	
Qes	0.95	
Qms	6.7	
o (half space)	0.36	%
Sd	0.0238 (21.39)	m <sup>2</sup> (in <sup>2</sup> )
Vd (Sd x Xmax)	32 (1.95)	cm <sup>3</sup> (in <sup>3</sup> )
Xmax (max. excursion (peak) with 10% distortion)	2.3 (0.09)	mm (in)
Xlim (max. excursion (peak) before physical damage)	10.6 (0.42)	mm (in)

Atmospheric conditions at TS parameter measurements:

Temperature	24 (75)	°C (°F)
Atmospheric pressure	1,020	mb
Humidity	56	%

Thiele-Small parameters are measured after a 2-hour power test using half AES power. A variation of ±15% is allowed.

### ADDITIONAL PARAMETERS

L	6.34	Tm
Flux density	1.03	T
Voice coil diameter	32 (1.25)	mm (in)
Voice coil winding length	9.6 (31.5)	m (ft)
Wire temperature coefficient of resistance ( )	0.00342	1/°C
Maximum voice coil operation temperature	250 (482)	°C (°F)
vc (max. voice coil operation temp./max. power)	2.50 (4.82)	°C/W (°F/W)
Hvc (voice coil winding depth)	11 (0.43)	mm (in)
Hag (air gap height)	6.3 (0.24)	mm (in)
Re	5.9	
Mms	16.9 (0.0372)	g (lb)
Cms	3.20	m/N
Rms	1.006	kg/s

### NON-LINEAR PARAMETERS

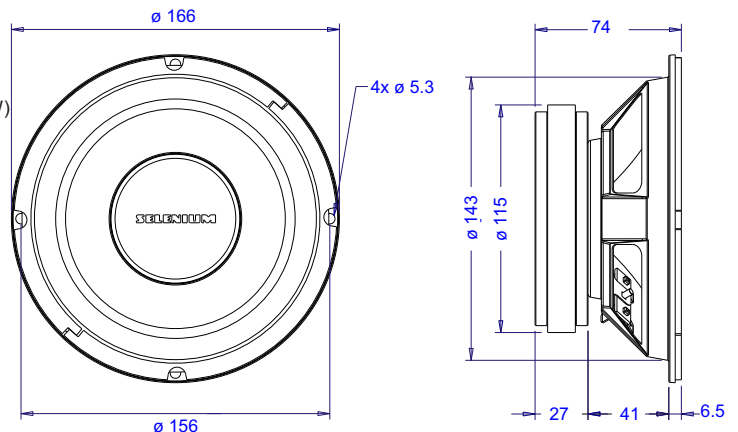
Le @ Fs (voice coil inductance @ Fs)	0.948	mH
Le @ 1 kHz (voice coil inductance @ 1 kHz)	0.569	mH
Le @ 20 kHz (voice coil inductance @ 20 kHz)	0.322	mH
Red @ Fs	0.147	
Red @ 1 kHz	1.395	
Red @ 20 kHz	17.281	
Krm	0.9	m
Kxm	3.0	mH
Erm	0.84	
Exm	0.81	

### ADDITIONAL INFORMATION

Magnet material	Barium ferrite
Magnet weight	560 (19.75) g (oz)
Magnet diameter x depth	115 x 14 (4.42 x 0.55) mm (in)
Magnetic assembly weight	1,520 (3.35) g (lb)
Frame material	Steel
Frame finish	Black epoxy
Voice coil material	Copper
Voice coil former material	Polyimide
Cone material	Long fiber pulp
Volume displaced by woofer	1.5 (0.06) l (ft <sup>3</sup> )
Net weight	1,700 (3.75) g (lb)
Gross weight	1,800 (3.96) g (lb)
Carton dimensions (W x D x H)	17.5 x 18 x 9 (6.9 x 7 x 3.5) cm (in)

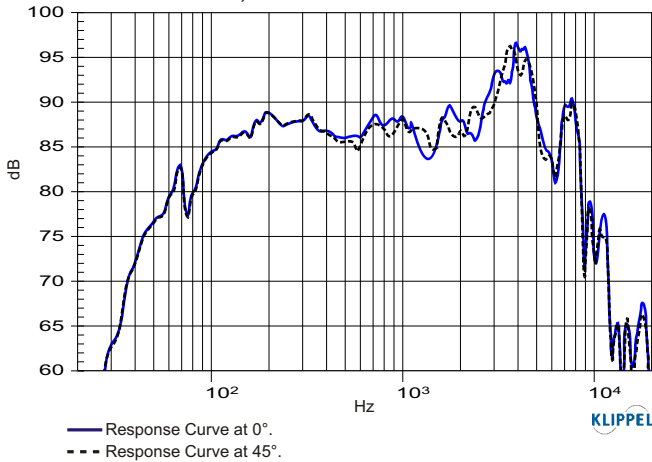
### MOUNTING INFORMATION

Number of bolt-holes	4
Bolt-hole diameter	5.3 (0.20) mm (in)
Bolt-circle diameter	156 (6.14) mm (in)
Baffle cutout diameter (front mount)	149 (5.86) mm (in)
Baffle cutout diameter (rear mount)	143 (5.63) mm (in)
Connectors	Push on terminals
Polarity	Positive voltage applied to the positive terminal (red) gives forward cone motion
Minimum clearance between the back of the magnetic assembly and the enclosure wall	50 (2) mm (in)

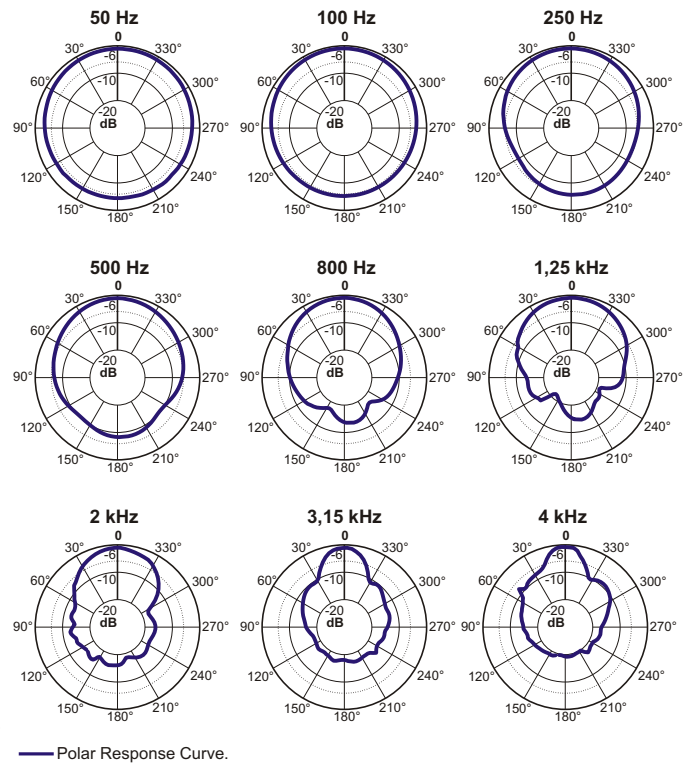


Dimensions in mm.

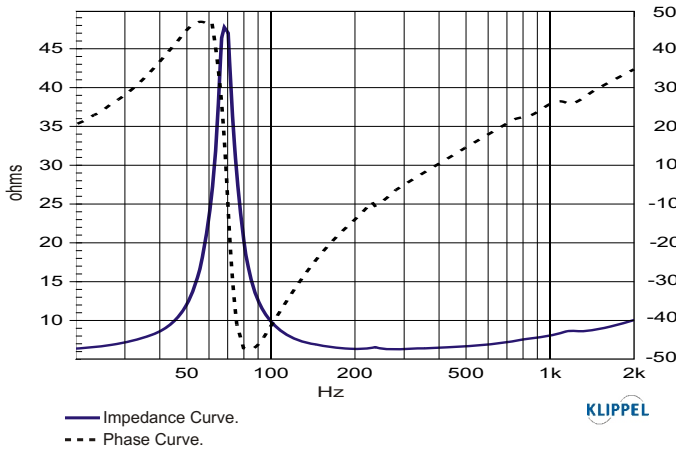
## RESPONSE CURVES (0° AND 45°) IN A TEST ENCLOSURE INSIDE AN ANECHOIC CHAMBER, 1 W / 1 m



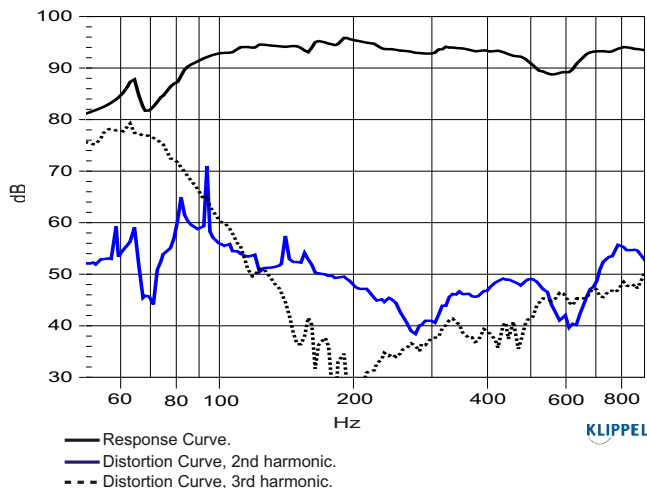
## POLAR RESPONSE CURVES



## IMPEDANCE AND PHASE CURVES MEASURED IN FREE-AIR



## HARMONIC DISTORTION CURVES MEASURED AT 10% AES INPUT POWER, 1 m



### HOW TO CHOOSE THE RIGHT AMPLIFIER

The power amplifier must be able to supply twice the RMS driver power. This 3 dB headroom is necessary to handle the peaks that are common to musical programs. When the amplifier clips those peaks, high distortion arises and this may damage the transducer due to excessive heat. The use of compressors is a good practice to reduce music dynamics to safe levels.

### FINDING VOICE COIL TEMPERATURE

It is very important to avoid maximum voice coil temperature. Since moving coil resistance ( $R_c$ ) varies with temperature according to a well known law, we can calculate the temperature inside the voice coil by measuring the voice coil DC resistance:

$$T_B = T_A \frac{R_B}{R_A} - 1 T_A - 25 \frac{1}{25}$$

$T_A, T_B$  = voice coil temperatures in °C.

$R_A, R_B$  = voice coil resistances at temperatures  $T_A$  and  $T_B$ , respectively.  
= voice coil wire temperature coefficient at 25 °C.

### POWER COMPRESSION

Voice coil resistance rises with temperature, which leads to efficiency reduction. Therefore, if after doubling the applied electric power to the driver we get a 2 dB rise in SPL instead of the expected 3 dB, we can say that power compression equals 1 dB. An efficient cooling system to dissipate voice coil heat is very important to reduce power compression.

### NON-LINEAR VOICE COIL PARAMETERS

Due to its close coupling with the magnetic assembly, the voice coil in electrodynamic loudspeakers is a very non-linear circuit. Using the non-linear modeling parameters  $K_{rm}$ ,  $K_{xm}$ ,  $E_{rm}$  and  $E_{xm}$  from an empirical model, we can calculate voice coil impedance with good accuracy.

### SUGGESTED PROJECTS

For additional project suggestions, please access our website.

### TEST ENCLOSURE

Closed box, with volume of 455 liters.

Devido aos avanços tecnológicos, reservamo-nos o direito de inserir modificações sem prévio aviso.

Cód.:28011064 Rev.: 00 - 01/06

[www.selenium.com.br](http://www.selenium.com.br)

[www.seleniumloudspeakers.com](http://www.seleniumloudspeakers.com)